



## Bathtub - MEM

Tub spout without diverter for deck-mounted installation - polished chrome

Article number: 13 612 782-00



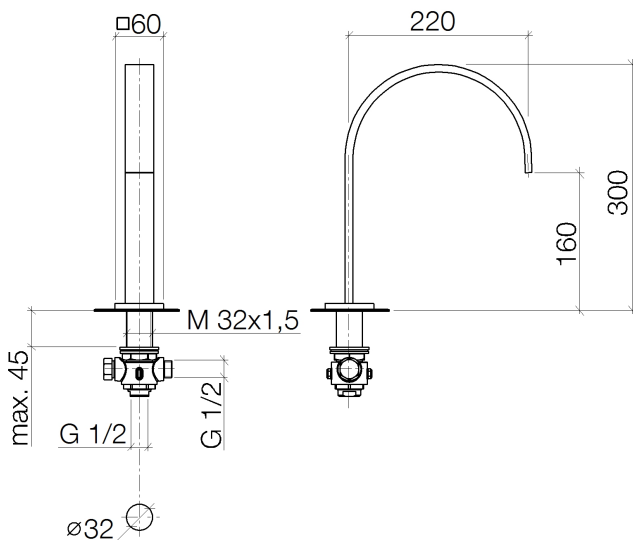
- 8-5/8" Projection
- Rectangular aerated stream
- Total height 11-3/4"
- Height to aerator/spout outlet 6-1/4"
- 1-1/4" hole diameter
- Flange 2-3/8" x 2-3/8"
- 1/2" connection
- Water flow rate limited to max. 7.3 gpm
- Fittings group in compliance with DIN 4109: 2
- Internal backflow preventer.



polished chrome

Discontinued items available to order until 30.06.2020

## Dimensional drawing





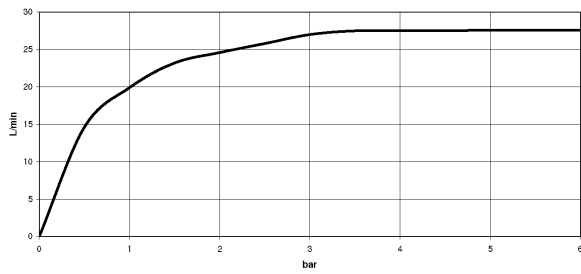
## Bathtub - MEM

Tube spout without diverter for deck-mounted installation - polished chrome

Article number: 13 612 782-00

All dimensions in mm / inch = mm x 0,0394

### Flow rate chart





## Bathtub - MEM

Tub spout without diverter for deck-mounted installation - polished chrome

Article number: 13 612 782-00

### Other surface finishes



platinum matte  
13 612 782-06



platinum  
13 612 782-08



Dark Brass matte  
13 612 782-16



Dark Bronze matte  
13 612 782-17



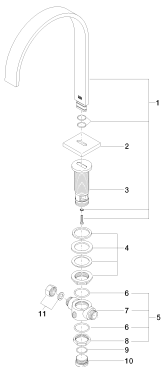
Cyprum  
13 612 782-49



Dark Platinum matte  
13 612 782-99

More custom finish options are available via special production (xTra Service). Please see our finish matrix for availability and pricing or contact a Dornbracht representative.

### Spare parts list



Number	Item Number	Designation	Number of units
<hr/>			